

FURUTECH

PURE TRANSMISSION



Furutech FT-786F(R) XLR Female Sockets

***Premier Performance and
Legendary Build Quality***

Furutech FT-786 F(R) XLR Female Sockets

Furutech is known the world over for their quality and wide variety of OEM parts. They deliver consistently superb results because Furutech engineers adhere to Pure Transmission principles; examine every element of the signal and power path and optimize each and every one.

Furutech's beautifully finished and just as importantly beautiful sounding XLR sockets are the result of meticulous engineering and careful audition of various materials. The FT-786F features α (Alpha) pure copper conductor for minimal impedance set in a super heat resistant liquid crystal polymer resin and a non-resonant nylon/fiberglass housing containing Furutech's Piezo Ceramic Damping Material. Unique to Furutech FT-786F and FT-785M XLR sockets are special nonmagnetic stainless-steel plates that are incorporated into the piezo compound construction using a special Furutech patent-pending process. Pure Transmission principles at their finest!

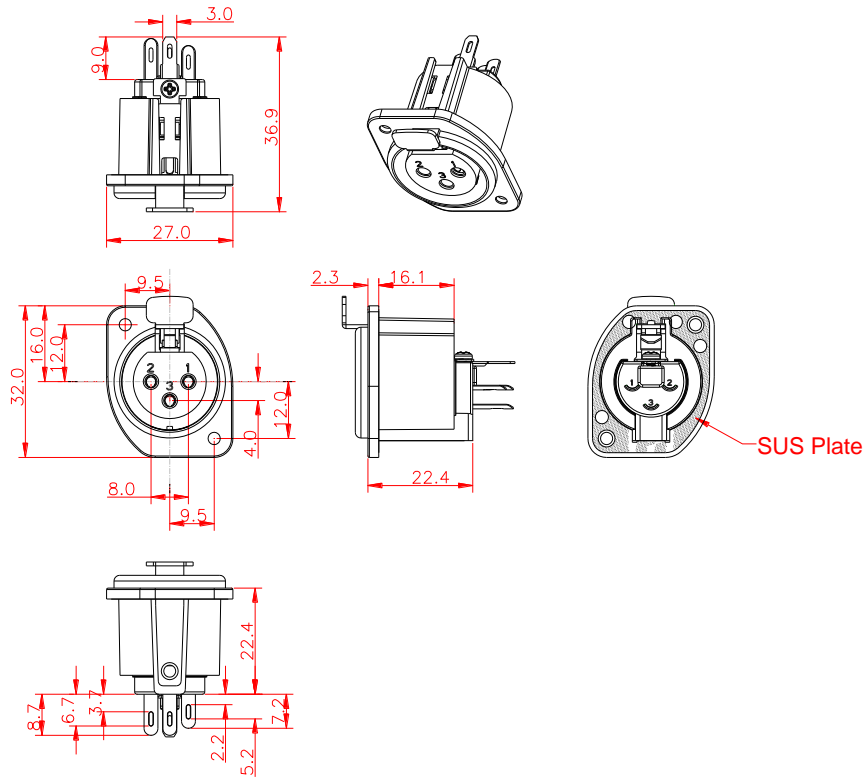
Features and Materials

- Main conductor: Rhodium α (Alpha) Pure copper conductor
- Housing: Matte black finished Nylon/fiberglass with piezo ceramic resin (SUS plated internal parts)
- End cover: Liquid Crystal Polymer Resin
- Connections: Soldered

Dimensions:

Insulation Housing: 32.0 x 27.0 x 36.9mm overall height

FT-786F Outside Dimensions



All Metal Parts Treated with Furutech's α (Alpha) Super Cryogenic and Demagnetizing Process

Make a More Powerful Connection with Furutech!

FURUTECH CO., LTD • service@furutech.com • www.furutech.com